

Cloud L2+ Managed PoE Switch

WI-PCMS310GF | WI-PCMS328GF



Hardware version: V2

Overview

Wi-Tek Cloud L2+ Managed PoE Switches provide high-performance, robust L2 and L2+ features such as static routing, ERPS, DHCP server, enterprise-grade QoS, and advanced security policy capabilities. IP-MAC-Port Binding (IMPB) and Access Control List (ACL) features protect against broadcast storms, ARP and Denial of Service (DoS) attacks, and more. Quality of Service (QoS, L2 to L4) provides enhanced traffic management capabilities to make data transfer smoother and faster. APP cloud management provides a more efficient, simple, secure, and easy-to-use remote management method. It supports intelligent deployment, automatic networking, abnormal alarm, and other functions, making it easy to manage and maintain. The Wi-Tek Cloud L2+ Managed PoE Switch is a high-performance, reliable network solution with rich management features, making it the perfect choice for small to medium-sized businesses.

Features

Abundant L2 and L2+ features

The Cloud L2+ Managed PoE switches support a complete lineup of L2 features, including 802.1Q VLAN, Port Mirroring, STP/RSTP/MSTP, ERPS, DHCP server, Link Aggregation Control Protocol, and 802.3x Flow Control function. Any more, the switch provides advanced features for network maintenance, such as Loopback Detection, Cable Diagnostics, and IGMP Snooping. Moreover, L2+ managed switches support L2+ feature-static routing, which is a simple way to provide segmentation of the network with internal routing through the switch and helps network traffic for more efficient use.

Networking Security

The Cloud L2+ Managed PoE switches provide IP-MAC-Port Binding, Port Security, Storm control and DHCP Snooping which protect against broadcast storms, DOS, etc. In addition, the Access Control Lists (ACL, L2 to L4) feature restricts access to sensitive network resources by denying packets based on source and destination MAC address, IP address, TCP/UDP ports and even VLAN ID. Moreover, the switch supports 802.1X authentication, which is used in conjunction with a RADIUS/TACACS+ server to require some authentication information before access to the network is allowed.

Cloud Platform Remote Management

Not only supports web interface and CLI management but also supports Wi-Tek Cloud platform remote management. Users can view the network status, modify the configuration, and troubleshoot at home.

Specifications



Model	WI-PCMS310GF	WI-PCMS328GF
Hardware Version	V2	V2
Hardware Specifications		
Interfaces		
Downlink Ports	8 * 10/100/1000Mbps RJ45 Ports	24 * 10/100/1000Mbps RJ45 Ports
Uplink Ports	2 * 1000Mbps SFP Slots	2 * 1000Mbps Combo SFP ports 2 * 1000Mbps SFP Slots
Management port	1 * Console Port	1 * Console Port
PoE		
PoE Port	Port 1–8	Port 1–24
PoE Standard	802.3af/at	
PoE Power Supply Type	End-span	
PoE Pin Assignment	1/2(+), 3/6(-)	
PoE Power	30W Max. for each port, 140W Max. for PoE power budget	30W Max. for each port, 370W Max. for PoE power budget
Performance		
Memory and Flash	128MB DDR3, 32MB Flash	
Switch Property		
Standards and Protocols	IEEE 802.3i: 10BASE-T Ethernet IEEE 802.3u: 100BASE-X Fast Ethernet IEEE 802.3ab: 1000BASE-T Gigabit Ethernet IEEE 802.3z: 1000BASE-X Gigabit Ethernet(Optical fiber)	
Forwarding Mode	Store and Forward	
Switching Capacity	20 Gbps	56 Gbps
Packet Forwarding Rate	14.88 Mpps	41.66 Mpps
MAC Address Table	8 k	
Packet Buffer Memory	4.1 Mbit	4.1 Mbit
Jumbo Frame	10 kB	
Power Supply		
Input Power	AC100–240V 50/60 Hz	



Model		WI-PCMS310GF	WI-PCMS328GF
Power Consumption		Idle: 14.2 W 100% Traffic Rate with PoE: 154.2 W	Idle: 27W 100% Traffic Rate with PoE: 397W
Physical Characteristics			
LED Indicators		<p>PWR:</p> <p>On: The device power on is normal Off: The device is power off or failed</p> <p>SYS:</p> <p>Blinking: The Device system is operating normally Off: Device system or power connection abnormality</p> <p>PoE:</p> <p>On: Equipment connected, normal power supply Off: Port not for terminal equipment power supply</p> <p>Link:</p> <p>On: Port connected Blinking: Data transmission Off: Port disconnected</p>	
Fan Quantity		Fanless	2
Dimensions (W*D*H)		280*181*44mm	442*209*44mm
Weight		Net Weight: 1.72 kg	Net Weight: 2.55 kg
		Package Weight: 2.40 kg	Package Weight: 3.91 kg
Installation		Rack-Mounted, Desktop	
Button			
Reset		Hold for >5 sec. to restore factory default	
Environmental			
Reliability	Surge Immunity	IEC 61000-4-5 Common mode 4kV Differential mode 2kV	
	ESD Protection	IEC 61000-4-2 Contact discharge 6kV Air discharge 8kV	
Operating Temperature		-10°C to 50°C(14°F to 122°F)	
Operating Humidity		10% ~ 90% RH no condensation	
Storage Temperature		-40°C to 70°C(-40°F to 158°F)	



Model	WI-PCMS310GF	WI-PCMS328GF
Storage Humidity	5%~90% RH no condensation	
Certification	CE, FCC, RoHS, UKCA, RCM	
Software Features	<p>8 priority queues</p> <p>802.1p CoS/DSCP priority</p> <p>Queue scheduling(SP (Strict Priority);WRR (Weighted Round Robin);SP+WRR</p> <p>Bandwidth Control(Port/Flow based Rating Limiting)</p> <p>Policy Config</p> <p>Class-Map Config</p> <p>Policy-Map Config</p> <p>Policy Mark Config</p> <p>Policy Bandwidth</p> <p>Policy VLAN</p>	
QoS	<p>IPv4/IPv6 Interfaces</p> <p>Static Routing(512 static routes)</p> <p>Static ARP</p> <p>8K ARP Entries</p> <p>ARP timeout</p> <p>Gratuitous ARP</p> <p>DHCP Server</p> <p>DHCP Relay</p> <p>DHCP L2 Relay</p>	
L2+	<p>Static link aggregation</p> <p>802.3ad LACP</p> <p>Up to 8 aggregation groups and up to 8 ports per group</p>	
Link Aggregation	<p>802.1d STP</p> <p>802.1w RSTP</p> <p>802.1s MSTP</p> <p>STP Security: TC Protect, BPDU Filter, BPDU Protect, Root Protect, Loop Protect</p>	
Spanning Tree Protocol		



Model	WI-PCMS310GF	WI-PCMS328GF
Loopback Detection	Port-based	
	VLAN based	
Flow Control	802.3x Flow Control	
	HOL Blocking Prevention	
Mirroring	Port Mirroring	
	CPU Mirroring	
	One-to-One	
	Many-to-One	
L2 Multicast	Tx/Rx/Both	
	Supports IPv4/IPv6 IGMP groups	
	IGMP Snooping	
	IGMP v1/v2/v3 Snooping	
	Immediately-leave	
	IGMP Snooping Querier	
	IGMP Authentication	
	IGMP Proxy	
	MVR	
	MLD Snooping	
	MLD v1/v2 Snooping	
	Immediately-leave	
	MLD Snooping Querier	
	Static Group Config	
Limited IP Multicast		
Multicast Filtering		
VLAN	VLAN Group	
	Max. 4K VLAN Groups	
	802.1Q tag VLAN	
	MAC VLAN	
	Protocol VLAN	



Model	WI-PCMS310GF	WI-PCMS328GF
VLAN	GVRP	
	Voice VLAN	
	Port-Based QinQ	
	Tunnel TPID (0x8100, 0x9100, 0x9200, Protocol ID)	
	OUI-Based VLAN	
Access Control List	MAC ACL	
	Source MAC	
	Destination MAC	
	Packet Type (Untagged-eth2, Untagged-802.3, Tagged-eth2, Tagged-802.3)	
	VLAN ID	
	Ether Type	
	IP ACL	
	Source IP	
	Destination IP	
	Fragment Packet	
	IP Protocol	
	IP Precedence	
	TCP/UDP Port	
	DSCP/IP TOS	
	Combined ACL	
	IPv6 ACL	
	icmp/tcp/udp	
	Mirroring	
	Attached Direction(Ingress/Traffic-statistic)	
QoS Remark		
ACL apply to Port/VLAN		
Time-based ACL		
Security	IP-MAC-Port Binding	
	DHCP Snooping	
	ARP Inspection	
	IPv4 secure-port	



	WI-PCMS310GF	WI-PCMS328GF
Security	DHCPv6 Snooping	
	snooping remote-id	
	snooping subscriber-id	
	IPv6 security-ra	
	DoS Defend	
	DHCP Filter	
	Static/Dynamic Port Security	
	Broadcast/Multicast/Unicast Storm Control	
	kbps/pps control mode	
	802.1X	
	Port base authentication	
	Mac base authentication	
	VLAN Assignment	
	Guest VLAN	
	Support RADIUS authentication and accountability	
	AAA (including TACACS+)	
Port Isolation		
Secure web management through HTTPS with SSLv3/TLS 1.2		
Secure Command Line Interface (CLI) management with SSHv1/SSHv2		
IP/Port/MAC-based access control		
IPv6	IPv6 Dual IPv4/IPv6	
	Multicast Listener Discovery (MLD) Snooping	
	IPv6 ACL	
	IPv6 Interface	
	Static IPv6 Routing	
	IPv6 neighbor discovery (ND)	
	Path maximum transmission unit (MTU) discovery	
	Internet Control Message Protocol (ICMP) version 6	
	TCPv6/UDPv6	
	IPv6 applications	
DHCPv6 Client		



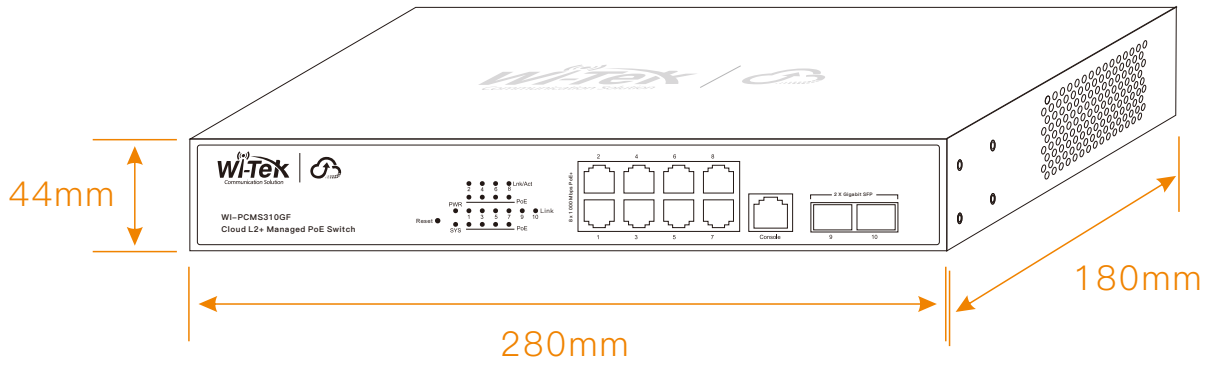
Model	WI-PCMS310GF	WI-PCMS328GF
IPv6	Ping(v6)	
	Tracert(v6)	
	Telnet (v6)	
	IPv6 SNMP	
	IPv6 SSH	
	IPv6 SSL	
	Http/Https	
Advanced Features	802.3ah Ethernet Link OAM	
	ERPS	
	Cloud Management	
	ONVIF(ONVIF Detection,ONVIF Server(NLM))	
	Batch Firmware Upgrading	
	Intelligent Network Monitoring Abnormal Event Warnings	
	Automatic Device Discovery	
	Support Remote Management	
	Support Cloud VLAN Configuration	
	Support Topology Display	
Support Cloud Control Port Configuration		
Management Features	Web-based GUI	
	Command Line Interface (CLI) through console port, telnet	
	SNMPv1/v2c/v3	
	Trap/Inform	
	RMON (1, 2, 3, 9 groups)	
	DHCP/BOOTP Client	
	802.1ab LLDP/LLDP-MED	
	CPU Monitoring	
	Cable Diagnostics	
	EEE	
	Password Recovery	
	SNTP System Log	



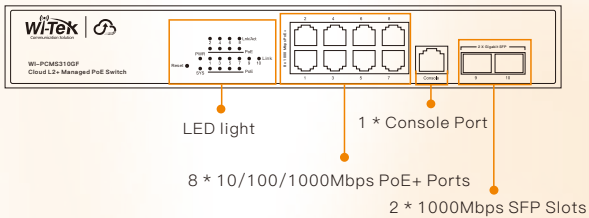
Model	WI-PCMS310GF	WI-PCMS328GF
System	Ping	
	Traceroute	
	Firmware Upgrade	
	DDMI	

WI-PCMS310GF

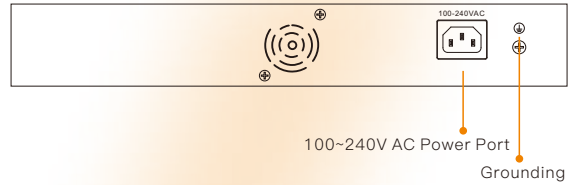
Dimensions (mm)



Front Panel

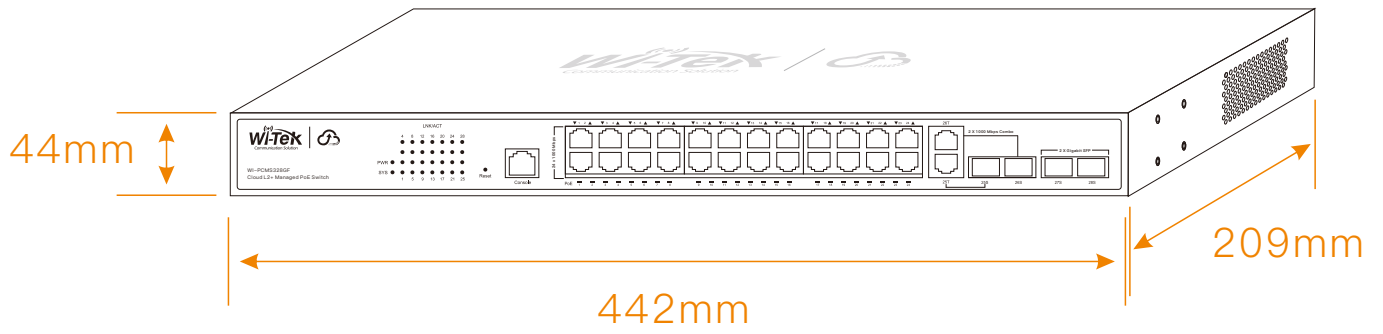


Side Panel



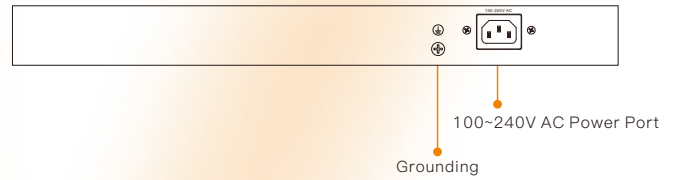
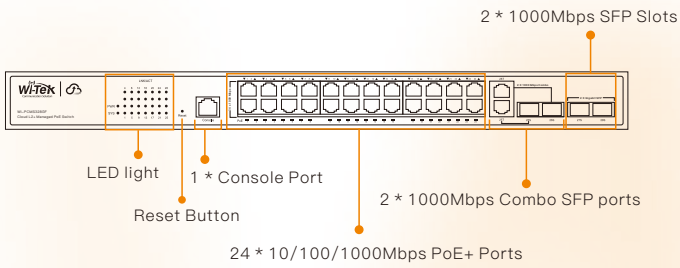
WI-PCMS328GF

Dimensions (mm)



Front Panel

Side Panel



Package Contents

Welcome to order our products. After purchasing, you will receive:

Items	Quantity
Switch	1 pcs
Serial line	1 pcs
AC Power Cord	1 pcs
Rack mounting accessories(Hookx2; Matx4; Screwx8)	1 pcs
Quick Installation Guide	1 pcs



Wireless-Tek Technology Limited

Address: Building 3, Units 1801-1807, 1812, Huaqiang Era Plaza, Tangwei Community, Fuhai Street, Bao'an District, Shenzhen City, Guangdong Province, China.

Website: www.wireless-tek.com

Tel: 86-0755-32811290

Email: sales@wireless-tek.com

Technical Support: tech@wireless-tek.com



Technical Support



Cloud Management



Company Website