

GSC3570 Mounting Guide

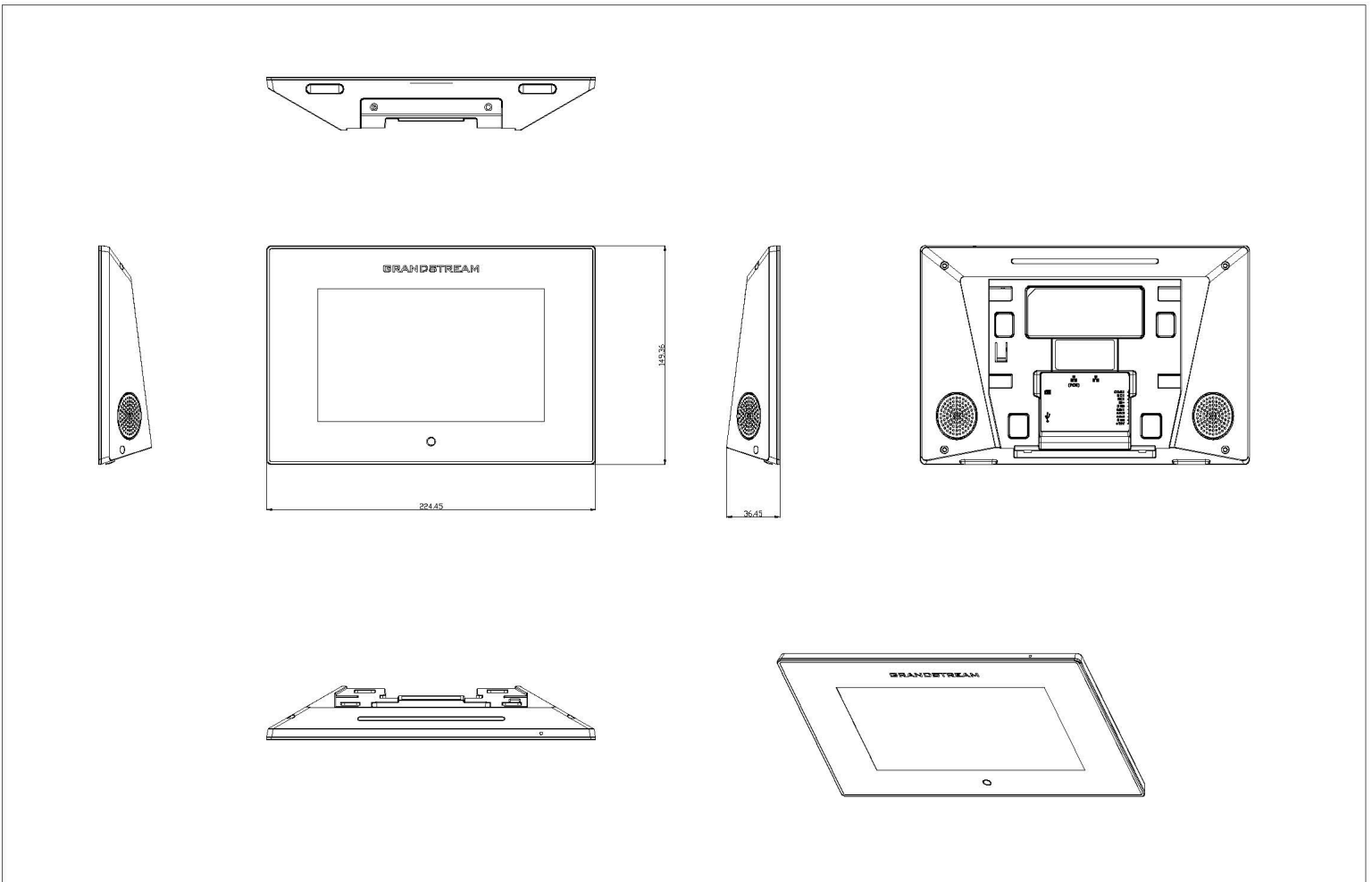


GRANDSTREAM
CONNECTING THE WORLD

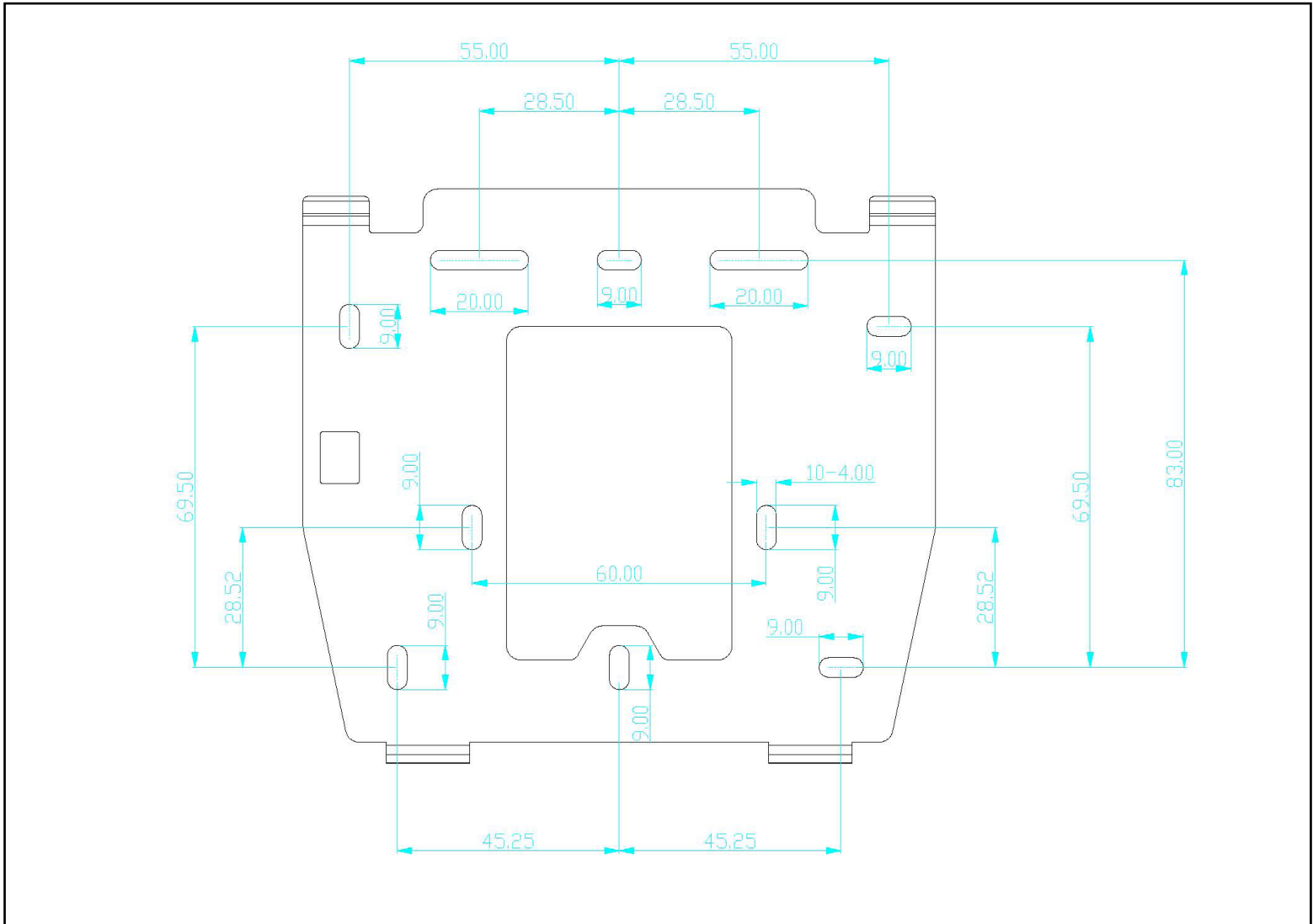
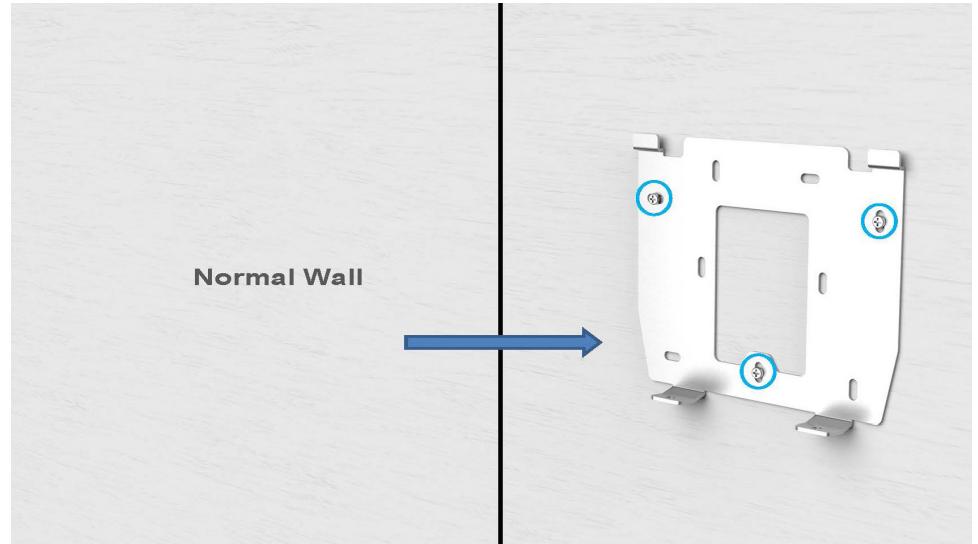
Table of Contents

GSC3570 Mounting Dimensions	2
Standard Wall Mount	3
1-Gang Electrical Box Dimensions	4
2-Gang Electrical Box Dimensions	5
86 Electrical Box Dimensions	6

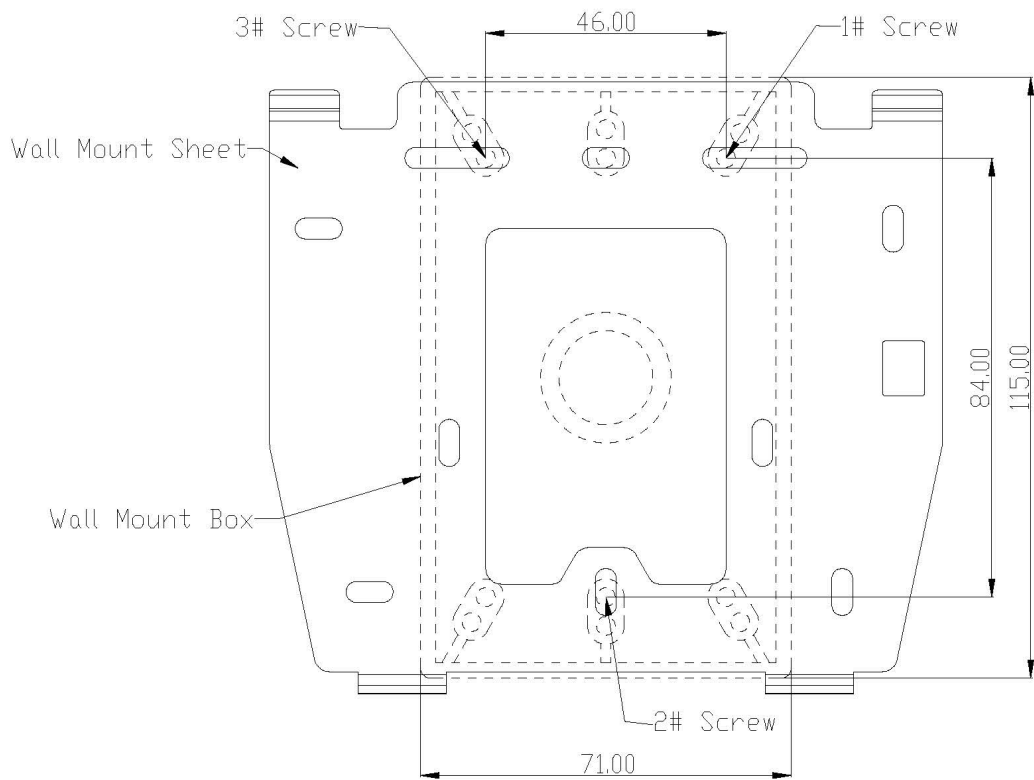
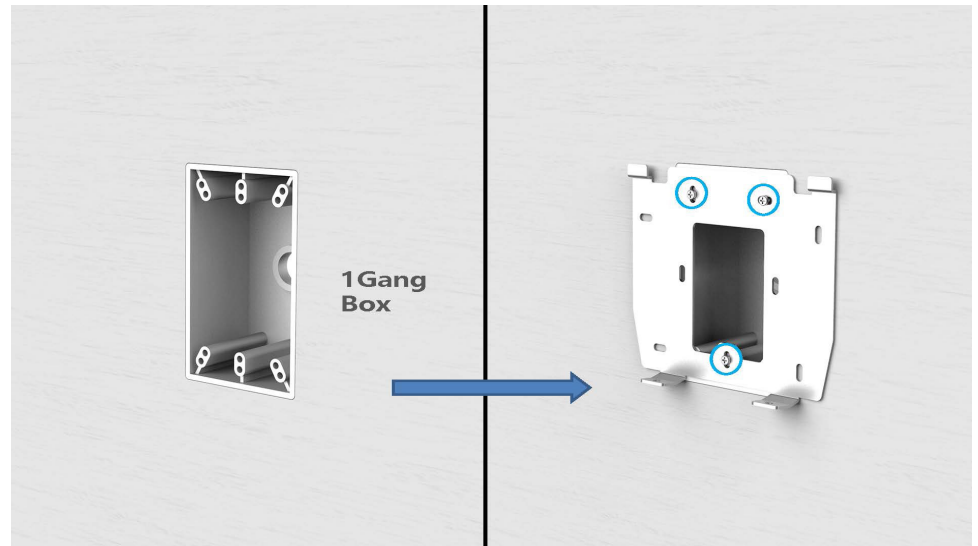
GSC3570 Mounting Dimensions



Standard Wall Mount

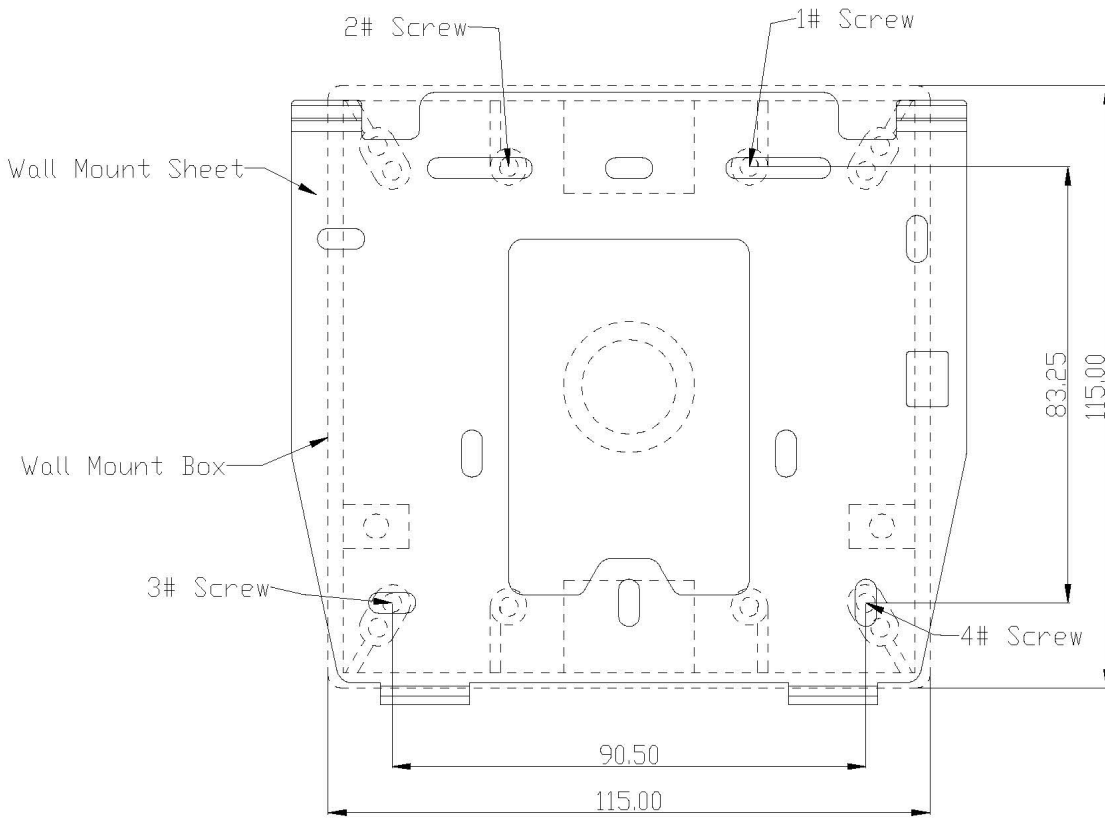
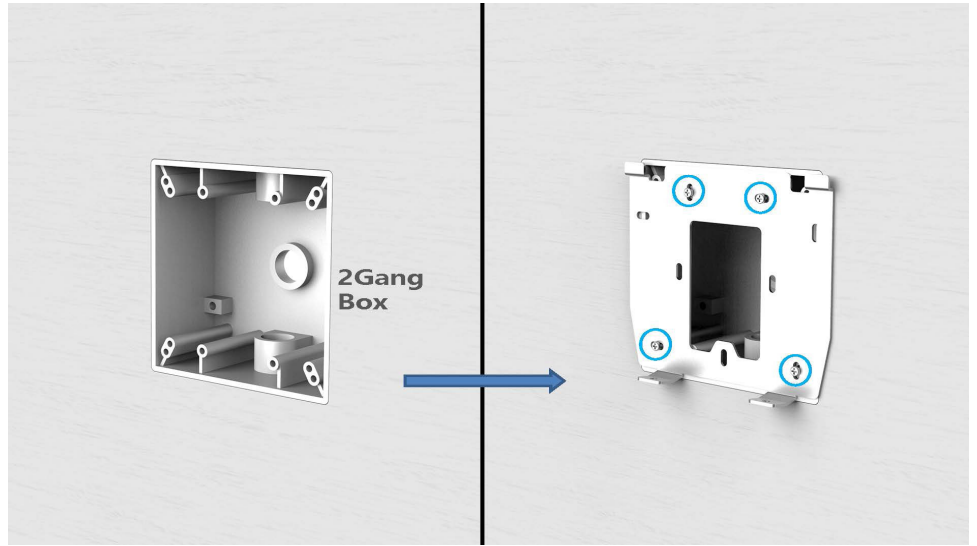


1-Gang Box Dimensions



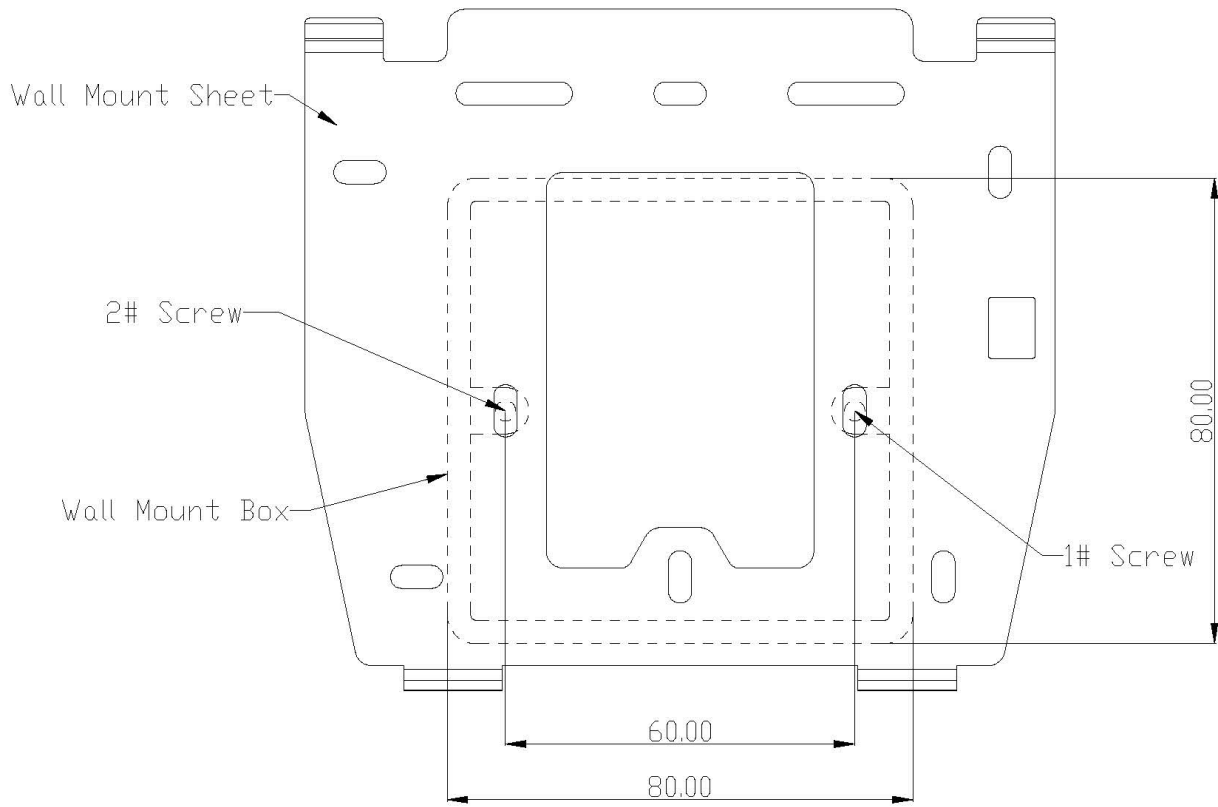
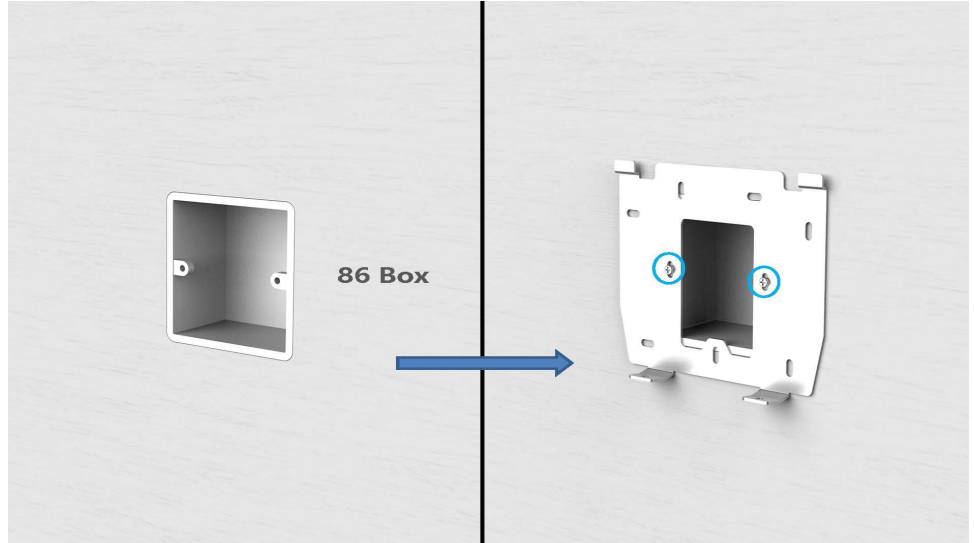
BOX SIZE:71*115mm

2-Gang Box Dimensions



BOX SIZE:115*115mm

86 Box Dimensions



BOX SIZE:80*80mm